

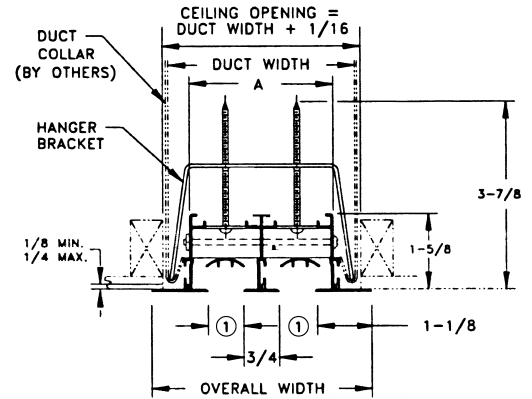
## LINEAR SLOT DIFFUSERS & BAR GRILLES

[CFM Range is only a guide. See Manufacturer Catalog for complete data. All NC Levels in Acceptable Range <32.]

### TUTTLE & BAILEY Model 6200/7200 Series ECP - Aluminum Adjustable Slot Diffuser Surface or Tee Bar Mounting

Model	Nominal Length	Neck Size	# of Slots	Slot Width	CFM Range	Price Each
6202-EO	24	22 x 3	2	3/4"	75-150	\$34
6202-EO	48	46 x 3	2	3/4"	150-300	68

Model	Nominal Length	Neck Size	# of Slots	Slot Width	CFM Range	Price Each
7202-EO	24	22 x 3 1/2	2	1"	75-200	\$35
7202-EO	48	46 x 3 1/2	2	1"	150-400	69



① Slot Width: 6200 = 3/4"; 7200 = 1"

**FINISH:** White

### TUTTLE & BAILEY Model DPI - Plenum Box

Model	Slot Width	Opening	Neck Size	Price Each
DPI-23x8	3/4"	22 1/8 - 3 7/8	8	\$34
DPI-47x10	3/4"	46 1/8 - 3 7/8	10	56

\*\*Model DPI Insulated Plenum - to be field installed

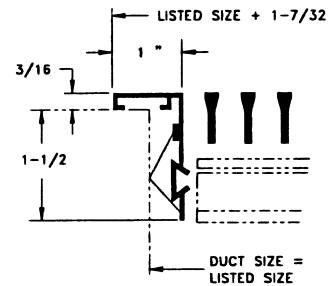
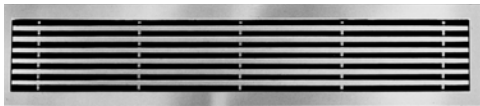
Model	Slot Width	Opening	Neck Size	Price Each
DPI-23x8	1"	22 1/8 - 4 3/8	8	\$35
DPI-47x10	1"	46 1/8 - 4 3/8	10	57

**Notes:**

- Unit with end caps lays in T-bar grid
- Optional DPI Plenum is insulated w/hemmed rail
- Hem duct brackets included

### TUTTLE & BAILEY Model 4100EO - Aluminum Bar Grille for Supply/Return Sidewall, Floor, Sill or Ceiling Mounting - (Sanded, Etched and Lacquer)

Neck Size	CFM Range	Price Each	Model A7 Volume Damper
10 x 4	50-175	\$22	\$13
12 x 4	75-200	23	13
12 x 6	125-300	26	15



**TYPE E MARGIN**

**FINISH:** Satin Anodize