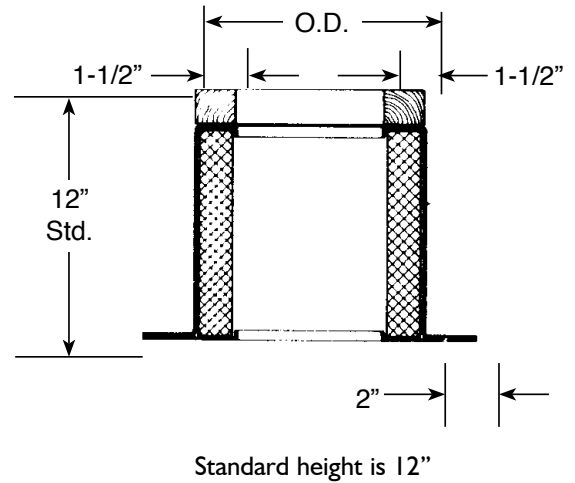


ROOF CURBS / EQUIPMENT SUPPORTS

ROOF CURBS

Model **CPC-3** - 18 Gauge Galvanized Steel Shell, Continuous Welded Corner Seams, Integral Base Plate
2"x 2" Pressure Treated Wood Nailer and 1 1/2" Thick Fiberglass Board Insulation.

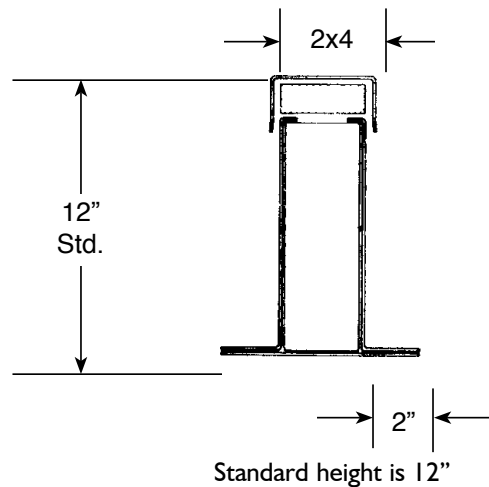
Model	Curb O.D. Size	Price Each	ILG Models	
			Fans	Vents
CPC-3	14" x 14"	\$58	-	611 CM
CPC-3	16" x 16"	58	CRDA 6-10, CRBCA 10	ARVE-12, 612 CM
CPC-3	21.5" x 21.5"	71	CRBCA 12-15	ARVE-16
CPC-3	28.5" x 28.5"	109	CRBCA 16	ARVE-20
CPC-3	32.5" x 32.5"	149	-	ARVE-25



EQUIPMENT SUPPORTS

Model **CPES-3** - 18 Gauge Galvanized Steel Shell, Continuous Welded Corner Seams, 2' X 4' Pressure Treated Wood Nailer, Galvanized Steel Counter-Flashing and Integral Base Plate with Integral Reinforcement.

Model	Support Length	Price Each
CPES-3	3'	\$70
CPES-6	6'	139



L. R. GORRELL COMPANY

PRICES SUBJECT TO CHANGE WITHOUT NOTICE! Minimum Order is \$25.00