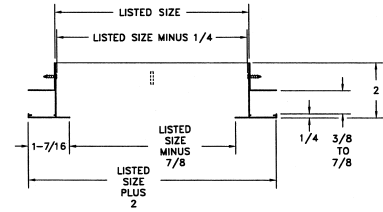
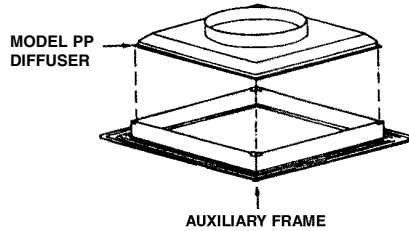


AIR DISTRIBUTION ACCESSORIES

TUTTLE & BAILEY Model **TRM** - Auxiliary Frame allows any Lay-In Tee Bar Type Diffuser to be Surface Mounted.

| Panel Size | Price Each |
|------------|------------|
| 12 x 12 | \$15 |
| 12 x 24 | 16 |
| 24 x 24 | 19 |

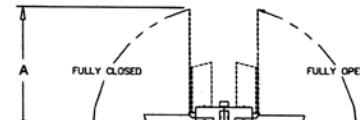
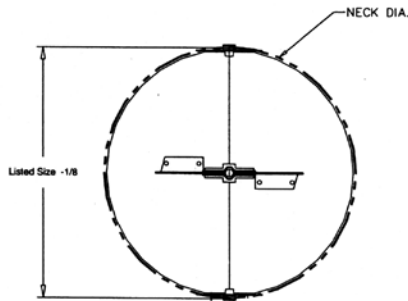


Notes:

- For use with ceiling thickness 3/8" to 7/8"
- Trims out ceiling opening and allows lay-in of grille or diffuser
- Can be used for ceiling access
- White enamel finish

TUTTLE & BAILEY Model **RBN** - Steel Round Butterfly Damper for PP-LT, PV-LT, PR-LT, & I300 Type Diffusers

| Neck Size | Price Each |
|-----------|------------|
| 6 | \$12 |
| 8 | 13 |
| 10 | 13 |
| 12 | 14 |
| 14 | 16 |



| Listed Size | 6 | 8 | 10 | 12 | 14 |
|-------------|-------|-------|-------|-------|-------|
| A | 2 3/4 | 3 3/4 | 4 3/4 | 5 3/4 | 6 3/4 |

TUTTLE & BAILEY Model **SMOBD** - Steel Opposed Blade Damper for Type M-4SQ-LT and M-4SQ-SB Diffusers.

| Neck Size | Price Each |
|-----------|------------|
| 6 x 6 | \$9 |
| 9 x 9 | 13 |
| 12 x 12 | 17 |
| 15 x 15 | 23 |
| 18 x 18 | 29 |



TUTTLE & BAILEY Model **A7** - Aluminum Volume Damper for Type A70D and CRE500 Grilles

| Neck Size | Price Each |
|-----------|------------|
| 6 x 6 | \$9 |
| 8 x 8 | 12 |
| 10 x 10 | 15 |
| 12 x 12 | 17 |
| 14 x 14 | 21 |

| Neck Size | Price Each |
|-----------|------------|
| 16 x 16 | \$25 |
| 18 x 18 | 33 |
| 24 x 12 | 24 |
| 24 x 18 | 37 |
| 24 x 24 | 46 |



L. R. GORRELL COMPANY

PRICES SUBJECT TO CHANGE WITHOUT NOTICE! Minimum Order is \$25.00