

## VARIABLE AIR VOLUME TERMINAL UNITS

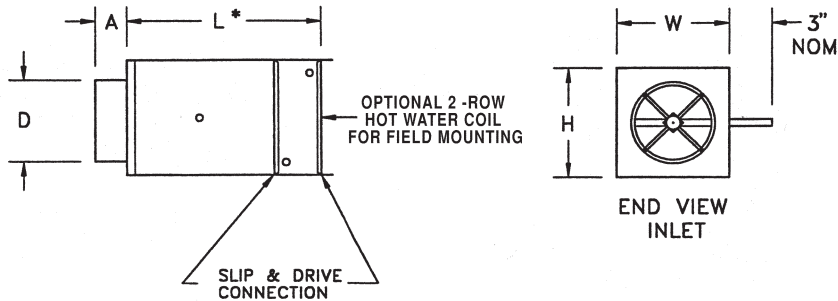
### TUTTLE & BAILEY Model SDV - Single Duct Terminal Units

**Bare Terminal Units Include:**

- Flo-Cross® Sensor
- Enviro-Seal™ Insulation w/zero water vapor permeability
- UL181, NFPA 90A, ASTM C665
- Low leakage damper w/ shaft position indicator
- Controls by others or **ADD** optional control packages shown below



Model/Inlet Size	CFM Range Max - Min	Min Ps	Weight (lbs.) Less Controls	L	H	W	A	D	Coil Conn. O.D. 2 Rows	Price Base Unit	Price Add 2 Row HWC
SDV 6	500-100/0	0.23	20	20 1/2	8	12	3 3/8	5 7/8	5/8	\$121	\$55
SDV 8	900-175/0	0.08	24	20 1/2	10	12	3 3/8	7 7/8	5/8	126	60
SDV 10	1400-250/0	0.06	30	20 1/2	12 1/2	14	3 3/8	9 7/8	5/8	139	76
SDV 12	2000-400/0	0.02	35	20 1/2	15	16	3 3/8	11 7/8	7/8	150	104
SDV 14	3500-700/0	0.02	45	23	17 1/2	20	3 3/8	13 7/8	7/8	167	131
SDV 16	4200-700/0	0.02	45	23	18	24	3 3/8	15 7/8	7/8	187	144



**Optional control packages:**

**CP-163 - STK** Analog Electronic, VAV Cooling, VAV Heating With Duct Changeover Sensor. 277/120V Transformer and Wall Thermostat Included.

**CP-133 - STK** Pneumatic Pressure Independent VAV Cooling, Constant Volume Heating at Min. CFM Set Point. N.O. Valve for use with D.A. T-stat by others. Re-heat control valves or P.E. Switches by others.

**Notes:**

- 1) Control Packages are provided loose on factory mounting plate. No control enclosure required.
- 2) Electronic Control Components are pre-wired on factory mounting plate ready for field installation.

**ACCESSORIES**

Model	Description	Price Each
CP-163	Electronic Control - Autochange	\$428
CP-133	Pneumatic Control	214
CTC-1611	D.A. Pneumatic Wall T-Stat	75
TF-241	Transformer 120V/277V - 24V AC	22