

VAV DIFFUSERS

THERMA-FUSER - HC

- Thermal Control Power
- Self Contained Control System
- VAV Room Temperature Control
- Field Adjustable Heating Volume Control



Therma-Fuser is equivalent to having a thermostat in every room. It is self-contained and thermally powered - - no pneumatic piping or electrical wiring is required. Room temperature settings for heating and cooling are separately adjustable. Therma-Fuser is dependable and maintenance free with no requirement for lubrication or costly pneumatics or electronics to maintain.



PERFORMANCE GUIDE

Model	(Inches) Listed Size	Inlet SP In W.G.	Max. CFM	Throw @ Max. CFM		Throw @ 25% of CFM		NC @ Max. CFM*	Price Each
				Vt 50	Vt 100	Vt 50	Vt 100		
TFHC	6	.05	100	5	3	3	1	*	CALL
		.10	140	6	3	3	2	20	
		.15	175	7	4	4	3	24	
		.20	200	8	5	6	4	28	
		.25	220	8	6	7	4	33	
TFHC	8	.05	160	6	4	4	2	*	CALL
		.10	225	8	5	5	3	20	
		.15	275	9	5	6	4	25	
		.20	320	10	6	8	5	29	
		.25	335	12	7	9	6	33	
TFHC	10	.05	260	7	4	5	3	*	CALL
		.10	370	9	5	6	4	22	
		.15	450	11	6	7	4	26	
		.20	520	12	7	8	5	29	
		.25	580	13	8	10	7	32	
TFHC	12	.05	380	8	5	6	4	*	CALL
		.10	550	11	7	8	5	23	
		.15	650	12	7	8	6	27	
		.20	740	14	8	10	7	30	
		.25	820	15	10	11	8	33	
		.30	890	17	11	12	9	36	

• Denotes nominal rating

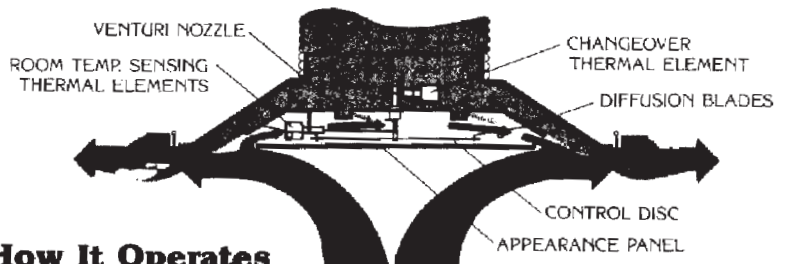
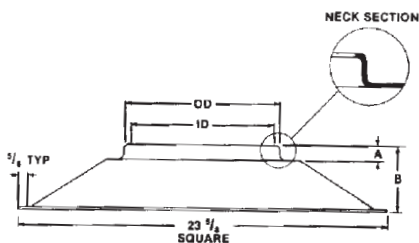
V_t Terminal velocity in fpm

NC based on LW 10 - 12W - 10 db

* less than NC 20

* With blades in full open position

Nominal Neck Size	Inches			
	A	B	ID	OD
6	1-1/4	4-1/4	5-1/2	5-15/16
8	1-5/16	4-3/8	7-5/16	7-15/16
10	1-7/16	4-9/16	9-11/16	9-15/16
12	1-5/16	4-3/8	11-9/16	12



How It Operates

Notes:

- Relief rings available
- Auxiliary frame for surface mounting on page 10.

VARIABLE AIR VOLUME TERMINAL UNITS

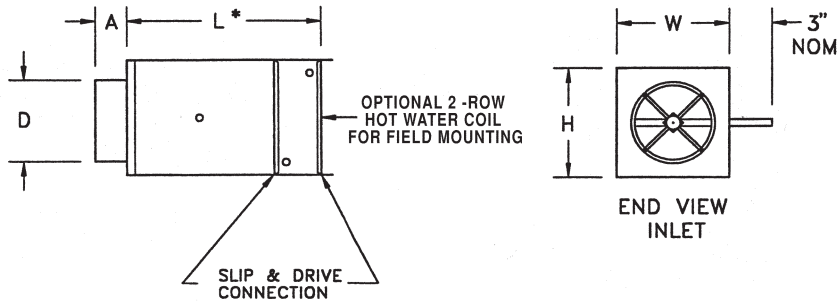
TUTTLE & BAILEY Model SDV - Single Duct Terminal Units

Bare Terminal Units Include:

- Flo-Cross® Sensor
- Enviro-Seal™ Insulation w/zero water vapor permeability
- UL181, NFPA 90A, ASTM C665
- Low leakage damper w/ shaft position indicator
- Controls by others or **ADD** optional control packages shown below



Model/Inlet Size	CFM Range Max - Min	Min Ps	Weight (lbs.) Less Controls	L	H	W	A	D	Coil Conn. O.D. 2 Rows	Price Base Unit	Price Add 2 Row HWC
SDV 6	500-100/0	0.23	20	20 1/2	8	12	3 3/8	5 7/8	5/8	\$121	\$55
SDV 8	900-175/0	0.08	24	20 1/2	10	12	3 3/8	7 7/8	5/8	126	60
SDV 10	1400-250/0	0.06	30	20 1/2	12 1/2	14	3 3/8	9 7/8	5/8	139	76
SDV 12	2000-400/0	0.02	35	20 1/2	15	16	3 3/8	11 7/8	7/8	150	104
SDV 14	3500-700/0	0.02	45	23	17 1/2	20	3 3/8	13 7/8	7/8	167	131
SDV 16	4200-700/0	0.02	45	23	18	24	3 3/8	15 7/8	7/8	187	144



Optional control packages:

CP-163 - STK Analog Electronic, VAV Cooling, VAV Heating With Duct Changeover Sensor. 277/120V Transformer and Wall Thermostat Included.

CP-133 - STK Pneumatic Pressure Independent VAV Cooling, Constant Volume Heating at Min. CFM Set Point. N.O. Valve for use with D.A. T-stat by others. Re-heat control valves or P.E. Switches by others.

Notes:

- 1) Control Packages are provided loose on factory mounting plate. No control enclosure required.
- 2) Electronic Control Components are pre-wired on factory mounting plate ready for field installation.

ACCESSORIES

Model	Description	Price Each
CP-163	Electronic Control - Autochange	\$428
CP-133	Pneumatic Control	214
CTC-1611	D.A. Pneumatic Wall T-Stat	75
TF-241	Transformer 120V/277V - 24V AC	22

FAN POWERED VAV TERMINALS

REDD-I Model NRFHE - Fan-powered VAV terminal

Parallel, intermittent fan-powered, VAV terminal unit provided with the following features:

- ETL label with electric heat options
- Permanent split capacitor motors with thermal overload protection
- Two-sided access for easy access to motor and blower
- 1" fiberglass insulation with 4# density core meeting NFPA-90A requirements

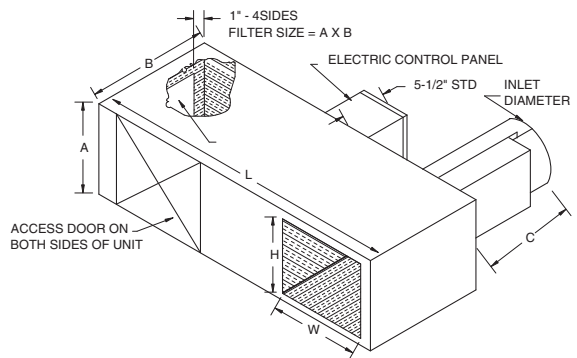
All units are provided with:

- 277V blower motors with Speed Control, Size 500, Size 750 and Size 1500
- Electric Heat: Size 500 Heater is 277v/1 phase, and Size 750 & 1500 Heater is 480v/3 phase.
- Single point power connection, non-fused, door interlock disconnect.
- 75 VA transformer, multi-step magnetic contractors and fan/heater relay with pilot relay.
- Primary valve with Flow-cross velocity sensor.

NRFHE Model Size	Fan CFM Range @ 0.2 ESP	Blower HP@ 277V	Primary Valve (MVA) Size	Primary Valve CFM Range	Electric Heat KW	Heater Stages (Note 1)	Unit MCA	NRFHE Complete Unit Price	NRFHE Freight Surcharge	Model MV Primary Valve ONLY Price
500	250-640	1/6	6	150-510	2.5 & 5	1 or 2	23.8	\$624	\$42	76
			8	300-905	2.5 & 5	1 or 2	23.8	631	42	84
			10	600-1415	2.5 & 5	1 or 2	23.8	639	42	91
750	440-1200	1/4	8	300-905	3.5, 7 & 10.5	1, 2 or 3	19.9	734	42	84
			10	600-1415	3.5, 7 & 10.5	1, 2 or 3	19.9	742	42	91
			12	800-2040	3.5, 7 & 10.5	1, 2 or 3	19.9	749	42	99
1500	750-1500	1/2	12	800-2040	3.5, 7 & 10.5	1, 2 or 3	19.9	781	42	99
			14	1000-2780	3.5, 7 & 10.5	1, 2, or 3	19.9	792	42	119

Notes:

- 1) Heat KW changes are made by combing Stages on the Control Terminal Strip.
 Model 500, 2.5 KW Heat is (1) stage only, 5KW may be (1) or (2) stage.
 Model 750 & 1500; 3.5 KW Heat is (1) stage only, 7KW Heat may be (1) or (2) stages and 10.5 KW may be (1), (2), or (3) stages.
- 2) Model MV rectangular outlet adapter dimensions are available upon request.



DIMENSIONS

NRFH MODEL SIZE	A	B	C	L	DISCHARGE	
					W	H
500-06	14	18	17	53	14	10
500-08			17		14	10
500-10			19		14	12
750-08	18	18	17	63	14	14
750-10			19			
750-12			19			
1500-12						
1500-14						

ACCESSORIES

Model	Description	Price Each
CP-133	Pneumatic Contro	\$214
CTC-1611	D.A. Pneumatic Wall T-Stat	75
CTR-116	3 Stage Heat w/T-Stat	505
	PE Switch	24