



RELIEF/INTAKE GRAVITY ROOF VENTILATORS

AMERICAN COOLAIR Type ARVE Vents

Applications

A low silhouette relief vent that is compatible with modern architectural lines and also matches ILG's power roof ventilators. Units used for intake should be selected to maintain flow rates at or below the maximum intake velocity of 600 FPM to prevent entrainment of moisture. For intake units, a maximum curb height of 12" is recommended.

Optional Features:

- Two types of shutters available:
 - (a) automatic or gravity operated
 - (b) motor operated
- Prefabricated curbs
- Insect screen



Construction

- Round spun aluminum hood
- Heavy gauge hood supports
- Anti-vibration bird screen
- Wide ranges of sizes for every need

PERFORMANCE TABLES

ARVE (RELIEF)

UNIT SIZE		12	16	20	25	31	37
Throat Area (Ft ²)		0.785	1.40	2.18	3.40	5.24	7.46
500	THROAT VEL	637	357	229	147	95	67
	PD	0.048	0.014	0.004	0.003	0.002	0.001
1000	THROAT VEL	1274	714	459	294	191	134
	PD	0.193	0.054	0.018	0.011	0.008	0.002
1500	THROAT VEL		1071	688	441	286	201
	PD		0.123	0.040	0.025	0.017	0.006
2000	THROAT VEL		1429	917	588	382	268
	PD		0.218	0.070	0.045	0.030	0.010
3000	THROAT VEL			1376	882	573	402
	PD			0.158	0.101	0.068	0.022
4000	THROAT VEL				1176	763	536
	PD				0.180	0.122	0.040
5000	THROAT VEL				1471	954	670
	PD				0.281	0.190	0.062
6000	THROAT VEL				1765	1145	804
	PD				0.405	0.274	0.090
8000	THROAT VEL					1527	1072
	PD					0.486	0.159
PRICE EACH							
SELF FLASHING ROOFCURB 12" HIGH		PLEASE CALL FOR PRICING					
GRAVITY DAMPER EXHAUST ONLY							

ARVE (INTAKE)

UNIT SIZE		12	16	20	25	31	37
Intake Area (Ft ²)		1.59	3.07	6.38	6.97	7.65	14.09
400	INTAKE VEL	251	130	63	57	52	28
	PD	0.094	0.021	0.008	0.005	0.003	0.001
600	INTAKE VEL	377	195	94	86	78	43
	PD	0.212	0.046	0.017	0.011	0.007	0.003
800	INTAKE VEL	503	260	125	115	105	57
	PD	0.378	0.082	0.031	0.019	0.013	0.005
1000	INTAKE VEL		326	157	144	131	71
	PD		0.129	0.048	0.030	0.020	0.008
2000	INTAKE VEL			314	287	261	142
	PD			0.191	0.120	0.078	0.031
3000	INTAKE VEL				431	392	213
	PD				0.270	0.176	0.070
4000	INTAKE VEL					523	284
	PD					0.314	0.125
5000	INTAKE VEL						355
	PD						0.196
6000	INTAKE VEL						426
	PD						0.282
7000	INTAKE VEL						497
	PD						0.383
PRICE EACH							
SELF FLASHING ROOFCURB 12" HIGH		PLEASE CALL FOR PRICING					
MOTOR OPERATED 120V DAMPER							



The gravity vents and accessories listed above are available for 2-day quick ship. Please call your local L.R. Gorrell office for details.

L. R. GORRELL COMPANY

LOUVERS & VOLUME CONTROL DAMPERS

ARROW UNITED EXTRUDED ALUMINUM LOUVERS

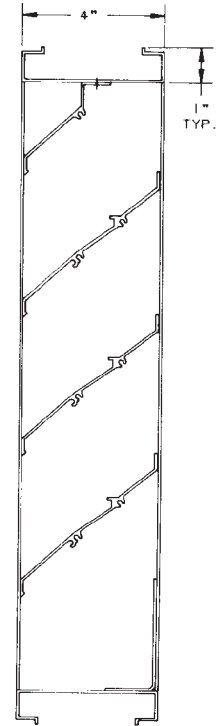
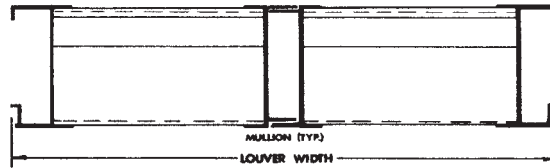
Model **EA-405** - 4" Deep, 450 Baffle Blade - Stationary - Standard Channel Type

Size	Price	Flange Kit* Price Each
12 x 12	\$56	\$18
18 x 18	88	26
24 x 12	77	26
24 x 24	115	35
30 x 16	125	35
36 x 24	141	43
36 x 36	202	53
48 x 48	340	70

* Flange Kit to be Field Installed



SPECIFICATIONS	
MATERIAL:	Extruded aluminum, 6063-T52 alloy, available in .081" thick.
FACE OF LOUVER:	Full jam section, with blades, head and sill contained in jamb.
SCREENS:	Birdscreen - 1/2" flattened expanded aluminum .051".
FINISH:	Mill Aluminum

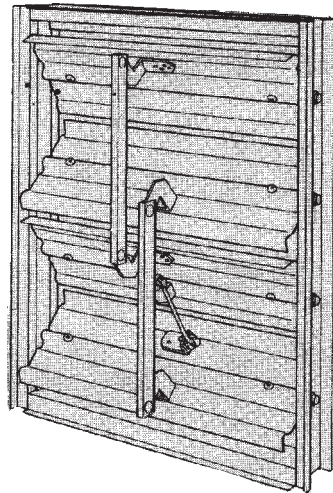


EA-405

ARROW UNITED VOLUME CONTROL DAMPERS

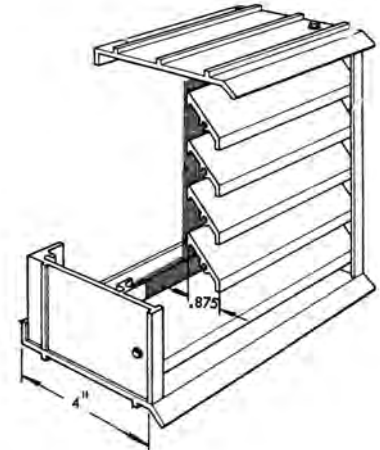
Model **I770** - Galvanized Steel Control Damper

Size	Blade Arrangement	Price Each
12 x 6	Single	\$42
12 x 12	Opposed	42
18 x 12	Opposed	48
18 x 18	Opposed	62
24 x 12	Opposed	53
24 x 18	Opposed	66
24 x 24	Opposed	82
30 x 24	Opposed	85
30 x 30	Opposed	105
36 x 24	Opposed	94
36 x 36	Opposed	129



ARROW BRICK VENTS

Model **BV, BV FL**



ACTUATORS

Model	Damper Size Range	Description	Price Each
235-115	12" x 06" - 24" x 12"	115 Volt Actuator*	\$76
MS4209F	12" x 18" - 36" x 36"	115 Volt Actuator*	251
Q-37	ALL	Locking Quadrant	6

Model	Size (opening)	Price Each
BV	15 7/8" x 7 3/4"	\$54
BV FL Flanged	16 1/2" x 7 3/4"	63

Notes:

- 1) 115V actuators are 2-position, spring return
- 2) ML-4105B is CCW power open, normally closed with Arrow I770 Damper. Accepts 1/2 sq. or 1/2 rd. shaft.
- 3) 235-115 is N.O. or N.C. based on motor installation