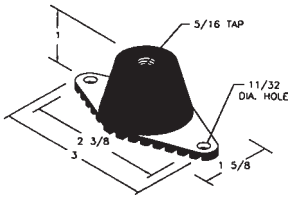


VIBRATION ISOLATOR

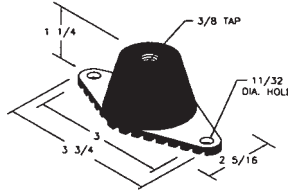
FLOOR MOUNTS

Type "T22" Single Deflection Rubber-In-Shear Isolator

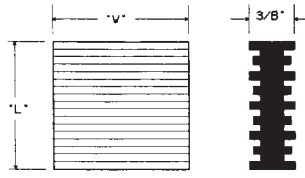


Model Number	Color Code	Rated Load	Rated Defl.	Price Each
T22	BLACK	40#	.25	\$7

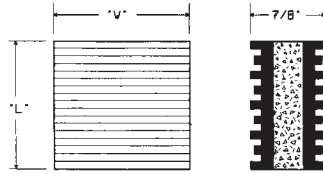
Type "T44" Single Deflection Rubber-In-Shear Isolator



Model Number	Color Code	Rated Load	Rated Defl.	Price Each
T44	3A BLACK	100#	.25	\$8
	5A BLUE	150#	.25	8
	7A GREEN	300#	.25	8



SERIES "NNP" RIBBED NEOPRENE ISOLATION PAD



SERIES "CNP" COMBINATION CORK AND NEOPRENE ISOLATION PAD

Series "NNP" and "CNP" isolation pads have a recommended load rating of 50 lbs./sq. in. Minimum load is 25 lbs./sq.in. Maximum load is 70 lbs./sq. in.

Series "NNP" and "CNP" isolation pads are furnished with the ribs alternately raised and lowered to provide rated deflection over the rated load range.

Series "NNP" isolation pads have a deflection of .125"

Series "CNP" isolation pads have a deflection of .1875".

Model/Size	Price
NNP - 18" x 18"	\$65
NNP - 4" x 4"	5
CNP - 18" x 18"	94
CNP - 2" x 2"	2

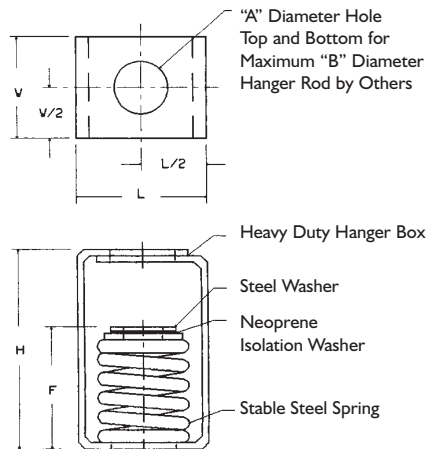
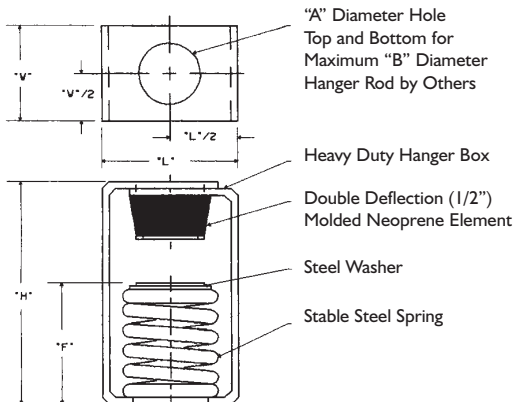
HANGING ISOLATORS

Model HS-L and HS-I hangers with steel spring and neoprene noise isolation washer

Model HES-I hangers with steel spring and neoprene hanger element

Part Number	Rated Load Lbs	Spring Deflection	Dimensions In Inches					Price Each	
			L	W	H	F	A		B
HES-1-121	45-90	1.90"	3-1/2	2	9-1/4	4-5/8	1	3/4	\$48
HES-1-122	90-120	1.90"							
HES-1-123	120-175	1.90"							
HES-1-124	175-250	1.80"							
HES-1-125	250-330	1.80"							
HES-1-126	330-450	1.80"							
HES-1-127	450-600	1.70"							
HES-1-128	600-750	1.70"	53						

Part Number	Rated Load Lbs	Spring Deflection	Dimensions In Inches						Price Each
			L	W	H	F	A	B	
HSL-1-101	25-50	1.20"	2-3/4	2	4-1/2	3-1/8	7/8	5/8	\$18
HSL-1-102	50-100	1.20"							
HSL-1-103	100-150	1.20"							
HSL-1-104	150-250	1.10"							
HS-1-121	45-90	1.40"	3	2	7	4-5/8	1	3/4	\$26
HS-1-122	90-120	1.40"							
HS-1-123	120-175	1.40"							
HS-1-124	175-250	1.30"							
HS-1-125	250-330	1.30"							
HS-1-126	330-450	1.30"							
HS-1-127	450-600	1.20"							
HS-1-128	600-750	1.20"							



L. R. GORRELL COMPANY

PRICES SUBJECT TO CHANGE WITHOUT NOTICE! Minimum Order is \$25.00