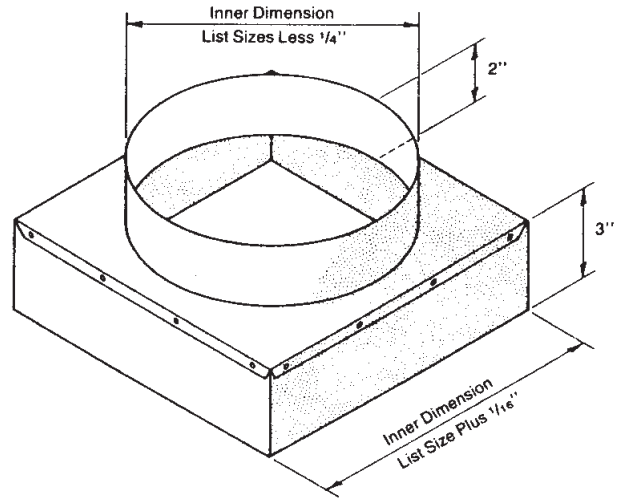


SQUARE TO ROUND AND ROUND TO ROUND TRANSITIONS

SQUARE TO ROUND TRANSITIONS

Model **SRT**

Sizes In Inches	Price Each
6 x 6 x 6	\$5
8 x 8 x 6	6
8 x 8 x 7	6
8 x 8 x 8	6
9 x 9 x 7	7
9 x 9 x 8	7
9 x 9 x 9	7
10 x 10 x 8	7
10 x 10 x 9	7
10 x 10 x 10	7
12 x 12 x 10	7
12 x 12 x 12	7
15 x 15 x 12	10
15 x 15 x 14	10
18 x 18 x 16	12
20 x 20 x 14	14
20 x 20 x 16	14
22 x 22 x 12	16
22 x 22 x 16	16



TECHNICAL DATA:
 Round Neck Sized 1/8" Under
 Square Neck Sized 1/4" Over
 Made of 28 gauge Galvanized Steel

ROUND TO ROUND REDUCERS

Model **RRT**

Sizes In Inches	Price Each
6" to 5"	\$3
8" to 6"	4
10" to 8"	5
12" to 10"	6
14" to 12"	8
16" to 14"	10



TECHNICAL DATA:
 Inner Round Neck Sized 1/8" Under
 Outer Neck Sized 1/8" Under
 Made of 28 gauge Galvanized Steel

L. R. GORRELL COMPANY