



# SPIRAL PIPE AND FITTINGS



## Round and Ready Program

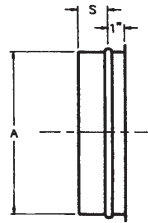
- Fabricated from G90 galvanized materials
- Meets Smacna 95' high pressure standards
- Materials shipped next day direct from Hamlin warehouse

### SPIRAL PIPE

SIZE	PRICE
04" dia. 10'0" 26ga	\$13.00
06" dia. 10'0" 26ga	17.50
08" dia. 10'0" 26ga	22.00
10" dia. 10'0" 26ga	28.50
12" dia. 10'0" 26ga	34.00
14" dia. 10'0" 26ga	39.00
16" dia. 10'0" 24ga	56.00
18" dia. 10'0" 24ga	65.00
20" dia. 10'0" 24ga	73.50
22" dia. 10'0" 24ga	81.00
24" dia. 10'0" 24ga	87.50
26" dia. 10'0" 24ga	93.00
28" dia. 10'0" 22ga	120.50
30" dia. 10'0" 22ga	134.00

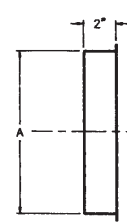
### END PIECES

#### INSIDE PLUG EP



SIZE	PRICE
04"	\$5.00
06"	5.00
08"	5.50
10"	5.50
12"	6.00
14"	7.50
16"	11.00
18"	17.00
20"	18.00
22"	20.00
24"	22.00
26"	26.00
28"	30.50
30"	34.00

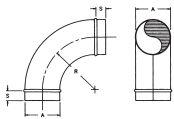
#### OUTSIDE CAP EC



SIZE	PRICE
04"	\$5.00
06"	5.00
08"	5.50
10"	5.50
12"	6.00
14"	7.50
16"	11.00
18"	17.00
20"	18.00
22"	20.00
24"	22.00
26"	26.00
28"	30.50
30"	34.00

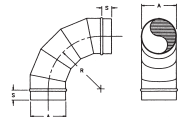
### ELBOWS

#### DIE STAMPED 90° E-90-1



#### GORED ELBOW E-90-5, E-45-3

E-(angle)-(number of gores)

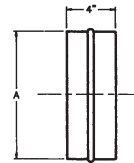


SIZE	PRICE
04" SE90	\$9.50
06" SE90	11.50
08" SE90	18.00
10" E90-5	26.00
12" E90-5	36.50
14" E90-5	44.50
16" E90-5	53.50
18" E90-5	79.50
20" E90-5	91.00
22" E90-5	107.00
24" E90-5	119.50
26" E90-5	127.00
28" E90-5	168.00
30" E90-5	193.00

SIZE	PRICE
04" SE45	\$8.00
06" SE45	10.50
08" SE45	12.00
10" E45-3	19.00
12" E45-3	22.00
14" E45-3	27.00
16" E45-3	39.00
18" E45-3	44.50
20" E45-3	48.50
22" E45-3	54.50
24" E45-3	59.50
26" E45-3	65.00
28" E45-3	78.00
30" E45-3	85.00

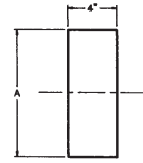
### COUPLINGS

#### PIPE COUPLING S-1



SIZE	PRICE
04" Internal	\$2.50
06" Internal	3.00
08" Internal	3.50
10" Internal	5.00
12" Internal	5.50
14" Internal	6.00
16" Internal	7.00
18" Internal	7.50
20" Internal	8.00
22" Internal	9.00
24" Internal	9.50
26" Internal	11.50
28" Internal	12.50
30" Internal	14.50

#### FITTING COUPLING S-2



SIZE	PRICE
04" External	\$2.50
06" External	3.00
08" External	3.50
10" External	5.00
12" External	5.50
14" External	6.00
16" External	7.00
18" External	7.50
20" External	8.00
22" External	9.00
24" External	9.50
26" External	11.50
28" External	12.50
30" External	14.50



- Materials shipped FOB from Hamlin warehouse in Benson, NC.
- Freight cost added to order

L. R. GORRELL COMPANY

PRICES SUBJECT TO CHANGE WITHOUT NOTICE! Minimum Order is \$25.00

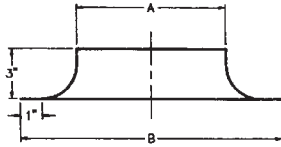
# SPIRAL PIPE AND FITTINGS



## Round and Ready Program

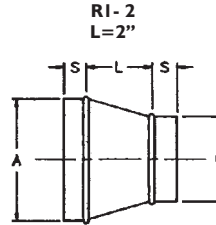
- Fabricated from G90 galvanized materials
- Meets Smacna 95' high pressure standards
- Materials shipped next day direct from Hamlin warehouse

### MINI BELLMOUTH



SIZE	PRICE
04" MR BM	\$6.00
06" MR BM	6.50
08" MR BM	7.50
10" MR BM	10.00
12" MR BM	10.50
14" MR BM	16.00
16" MR BM	23.50
18" MR BM	29.00
20" MR BM	33.50
22" MR BM	37.00
24" MR BM	42.00
26" MR BM	75.50
28" MR BM	85.00
30" MR BM	92.50

### CONCENTRIC REDUCER

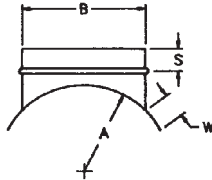


SIZE	PRICE
6x4 R1-2	\$11.50
8x6 R1-2	14.00
10x8 R1-2	15.00
12x10 R1-2	16.00
14x12 R1-2	19.00
16x14 R1-2	23.00
18x16 R1-2	28.00
20x18 R1-2	31.50
22x20 R1-2	35.50
24x22 R1-2	37.00
26x24 R1-2	43.50
28x26 R1-2	50.50
30x28 R1-2	53.50



SIZE	PRICE
8x4 R1-4	\$16.50
10x6 R1-4	17.00
12x8 R1-4	18.50
14x10 R1-4	23.00
16x12 R1-4	27.50
18x14 R1-4	33.50
20x16 R1-4	37.50
22x18 R1-4	42.00
24x20 R1-4	44.50
26x22 R1-4	51.00
28x24 R1-4	59.50
30x26 R1-4	63.50

### STRAIGHT SADDLE TAP TST



SIZE	PRICE	SIZE	PRICE
04" TST on Flat	\$5.00	04" TST on 06"	\$9.00
06" TST on Flat	3.50	06" TST on 08"	10.50
08" TST on Flat	4.00	08" TST on 10"	12.00
10" TST on Flat	5.00	10" TST on 12"	14.00
12" TST on Flat	5.50	12" TST on 14"	15.50
14" TST on Flat	7.00	14" TST on 16"	16.50
16" TST on Flat	7.00	16" TST on 18"	17.50
18" TST on Flat	9.00	18" TST on 10"	18.50
20" TST on Flat	9.50	20" TST on 22"	19.00
22" TST on Flat	14.50	22" TST on 24"	20.00
24" TST on Flat	19.00	24" TST on 26"	21.50
26" TST on Flat	20.50	26" TST on 28"	24.50
28" TST on Flat	21.50	28" TST on 30"	26.50
30" TST on Flat	23.50		

### STRAP & BRACKET

SIZE	PRICE
Bracket #BA3	\$0.85
1" strap, galv., 250' roll	34.00

### ACCESS DOOR

SIZE	PRICE
8X4 on 06"	\$21.50
8X4 on 08"	21.50
8X4 on 10"	21.50
8X4 on 12"	21.50
8X4 on 14"	21.50
8X4 on 16"	21.50
12x8 on 18"	30.50
12x8 on 20"	30.50

### SEALER

SIZE	PRICE
ProSeal	\$18.50



- Materials shipped FOB from Hamlin warehouse in Benson, NC.
- Freight cost added to order

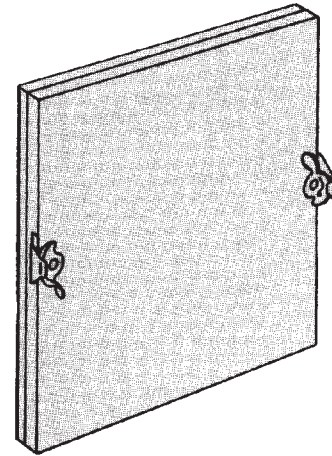
## ACCESS DOORS

### ACCESS DOORS

Model **ADC** with Cam Latches (No Hinge)

Sizes In Inches	Price Each
6 x 6	\$11
8 x 8	11
10 x 10	13
12 x 12	14
14 x 14	19
16 x 16	21
18 x 18	23
24 x 24	36

- **DOOR PANEL**  
24 gauge Galvanized Steel
- **FRAME**  
22 gauge Galvanized Steel
- **INSULATION**  
1" Fiberglass
- **PRE-FORMED TABS**  
20 gauge Galvanized Steel



**Notes:**

- 1" thick door w/double wall construction.
- 1" insulation and cam latches

### ACCESS DOORS FOR ROUND DUCT

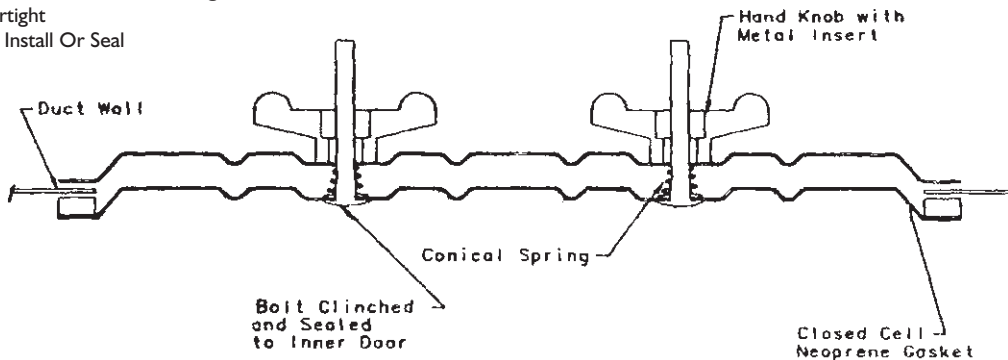
Model **DRU**

Door Size	Duct Size	Model	Price Each	Model	Price Each
8" x 4"	5" - 6"	DRU-08x04-06	\$22	DRI-08x04-06	\$30
	7" - 9"	DRU-08x04-09	22	DRI-08x04-09	30
	10" - 11"	DRU-08x04-11	22	DRI-08x04-11	30
12" x 8"	10" - 11"	DRU-12x08-11	30	DRI-12x08-11	42
	12" - 14"	DRU-12x08-14	30	DRI-12x08-14	42
	15" - 16"	DRU-12x08-16	30	DRI-12x08-16	42
	17" - 18"	DRU-12x08-18	30	DRI-12x08-18	42

**Note:**

Model DRU is uninsulated, Model DRI is insulated

- No measuring (Self-Adhesive Template Provided)
- Effortless Opening & Closing (No Tools Required)
- Tested to 20" W. G. Positive & 10" Negative
- Completely Airtight
- No Frames To Install Or Seal



**L. R. GORRELL COMPANY**

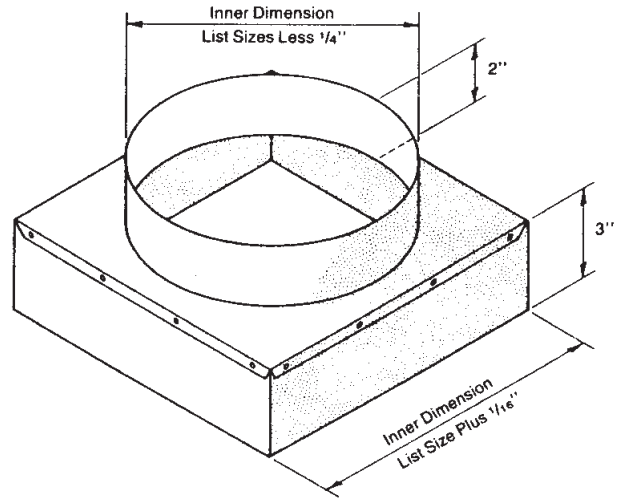
PRICES SUBJECT TO CHANGE WITHOUT NOTICE! Minimum Order is \$25.00

# SQUARE TO ROUND AND ROUND TO ROUND TRANSITIONS

## SQUARE TO ROUND TRANSITIONS

Model **SRT**

Sizes In Inches	Price Each
6 x 6 x 6	\$5
8 x 8 x 6	6
8 x 8 x 7	6
8 x 8 x 8	6
9 x 9 x 7	7
9 x 9 x 8	7
9 x 9 x 9	7
10 x 10 x 8	7
10 x 10 x 9	7
10 x 10 x 10	7
12 x 12 x 10	7
12 x 12 x 12	7
15 x 15 x 12	10
15 x 15 x 14	10
18 x 18 x 16	12
20 x 20 x 14	14
20 x 20 x 16	14
22 x 22 x 12	16
22 x 22 x 16	16



**TECHNICAL DATA:**  
 Round Neck Sized 1/8" Under  
 Square Neck Sized 1/4" Over  
 Made of 28 gauge Galvanized Steel

## ROUND TO ROUND REDUCERS

Model **RRT**

Sizes In Inches	Price Each
6" to 5"	\$3
8" to 6"	4
10" to 8"	5
12" to 10"	6
14" to 12"	8
16" to 14"	10



**TECHNICAL DATA:**  
 Inner Round Neck Sized 1/8" Under  
 Outer Neck Sized 1/8" Under  
 Made of 28 gauge Galvanized Steel

L. R. GORRELL COMPANY

PRICES SUBJECT TO CHANGE WITHOUT NOTICE! Minimum Order is \$25.00

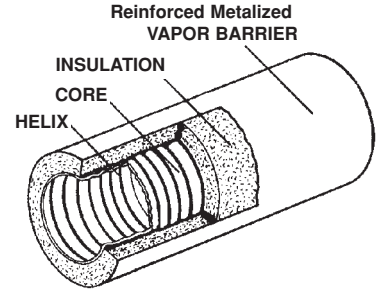
## FLEXIBLE DUCT/CLAMPS, TIE STRAPS, AND SPIN-INS

### FLEXIBLE DUCT

#### Type F116

- Positive 10" W.G.
- 25 - foot lengths
- R Value 6.0

Diameter	Price Each
06"	\$24
08"	28
10"	34
12"	40
14"	49
16"	58



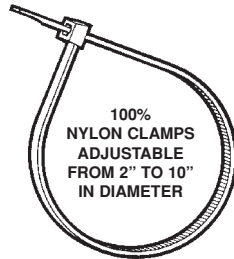
Type F116 is a UL 181 Class I Air Duct which meets the requirements of NFPA 90A and 90B. Factory installed with fiber, it has a durable, scuff resistant polyethylene jacket. A continuous full internal core using an encapsulated wire, which helix completely shields the air flow from fiberglass erosion.

The F116 series is designed for use in low-to-medium pressures in HVAC systems.

The 25-foot lengths are shipped compressed for easy handling.

### HEAVY-DUTY ADJUSTABLE CLAMPS

- An approved installation method for certain types of flexible duct under UL 181 standards of installation.
- 100% Nylon Clamps adjustable from 2" to 10" in diameter.
- For neck sizes larger than 12", combine two straps



### TOOLS - Model T150

- Fast tensioning
- Excess clamp material is trimmed with cutter
- Competitively priced
- Made in America

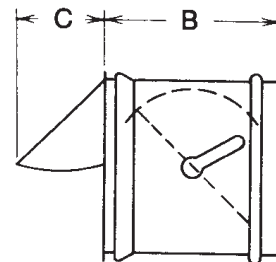
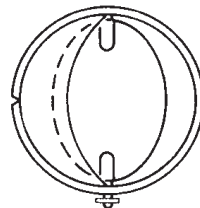
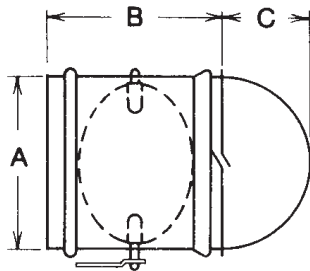
Model	Price Each
Tyton Clamp - 36" Long	\$ 0.24
Tyton T150 Tool	76.00



### SPIN-INS

Model SI - Spin In Fitting with Damper and 45 Extractor

Sizes In Inches	A	B	C	*Cut Hole	Price Each
6	5 7/8	5 7/8	3 1/2	5 13/16	\$5
8	7 7/8	7 5/8	4 1/2	7 13/16	7
10	9 7/8	9 5/8	5 1/2	9 13/16	10
12	11 7/8	11 5/8	6 1/2	11 13/16	11
14	13 7/8	11 5/8	7 1/2	13 13/16	13
16	15 7/8	11 5/8	8 1/2	15 13/16	15

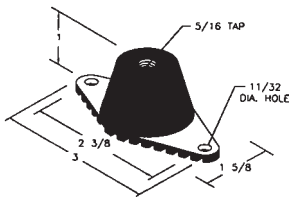


L. R. GORRELL COMPANY

# VIBRATION ISOLATOR

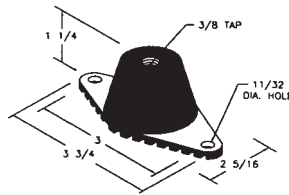
## FLOOR MOUNTS

### Type "T22" Single Deflection Rubber-In-Shear Isolator

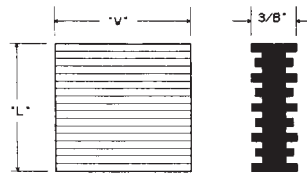


Model Number	Color Code	Rated Load	Rated Defl.	Price Each
T22	BLACK	40#	.25	\$7

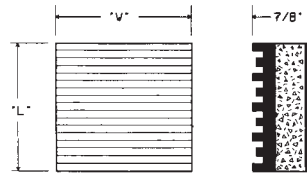
### Type "T44" Single Deflection Rubber-In-Shear Isolator



Model Number	Color Code	Rated Load	Rated Defl.	Price Each
T44	3A BLACK	100#	.25	\$8
	5A BLUE	150#	.25	8
	7A GREEN	300#	.25	8



SERIES "NNP" RIBBED NEOPRENE ISOLATION PAD



SERIES "CNP" COMBINATION CORK AND NEOPRENE ISOLATION PAD

Series "NNP" and "CNP" isolation pads have a recommended load rating of 50 lbs./sq. in. Minimum load is 25 lbs./sq.in. Maximum load is 70 lbs./sq. in.

Series "NNP" and "CNP" isolation pads are furnished with the ribs alternately raised and lowered to provide rated deflection over the rated load range.

Series "NNP" isolation pads have a deflection of .125"

Series "CNP" isolation pads have a deflection of .1875".

Model/Size	Price
NNP - 18" x 18"	\$65
NNP - 4" x 4"	5
CNP - 18" x 18"	94
CNP - 2" x 2"	2

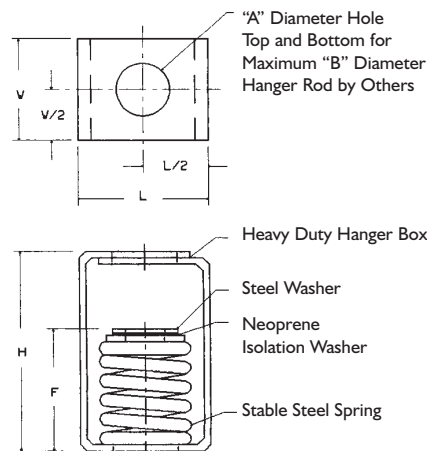
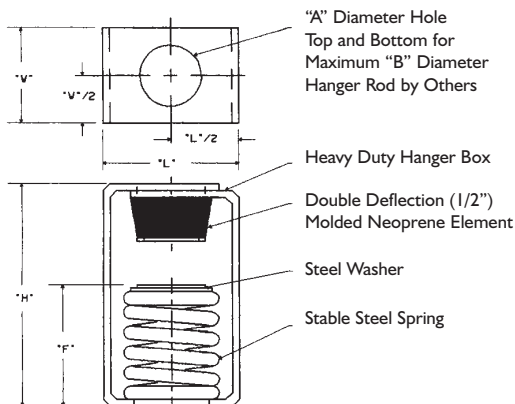
## HANGING ISOLATORS

Model HS-L and HS-I hangers with steel spring and neoprene noise isolation washer

Model HES-I hangers with steel spring and neoprene hanger element

Part Number	Rated Load Lbs	Spring Deflection	Dimensions In Inches					Price Each	
			L	W	H	F	A		B
HES-1-121	45-90	1.90"	3-1/2	2	9-1/4	4-5/8	1	3/4	\$48
HES-1-122	90-120	1.90"							
HES-1-123	120-175	1.90"							
HES-1-124	175-250	1.80"							
HES-1-125	250-330	1.80"							
HES-1-126	330-450	1.80"							
HES-1-127	450-600	1.70"							
HES-1-128	600-750	1.70"	53						

Part Number	Rated Load Lbs	Spring Deflection	Dimensions In Inches						Price Each
			L	W	H	F	A	B	
HSL-1-101	25-50	1.20"	2-3/4	2	4-1/2	3-1/8	7/8	5/8	\$18
HSL-1-102	50-100	1.20"							
HSL-1-103	100-150	1.20"							
HSL-1-104	150-250	1.10"							
HS-1-121	45-90	1.40"	3	2	7	4-5/8	1	3/4	\$26
HS-1-122	90-120	1.40"							
HS-1-123	120-175	1.40"							
HS-1-124	175-250	1.30"							
HS-1-125	250-330	1.30"							
HS-1-126	330-450	1.30"							
HS-1-127	450-600	1.20"							
HS-1-128	600-750	1.20"							



L. R. GORRELL COMPANY

PRICES SUBJECT TO CHANGE WITHOUT NOTICE! Minimum Order is \$25.00