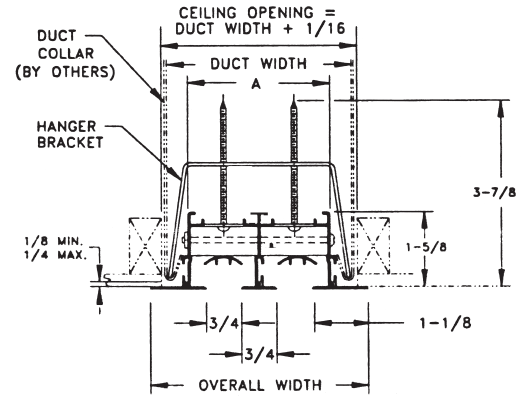


LINEAR SLOT DIFFUSERS & BAR GRILLES

[CFM Range is only a guide. See Manufacturer Catalog for complete data. All NC Levels in Acceptable Range<32.]

TUTTLE & BAILEY Model 6200 Series ECP - Aluminum Adjustable Slot Diffuser Surface or Tee Bar Mounting

Nominal Length	Neck Size	# of Slots	Slot Width	CFM Range	Price Each
24	22 x 3	2	3/4	75-200	\$32
48	46 x 3	2	3/4	150-400	62



FINISH: White

TUTTLE & BAILEY Model DPI - Plenum Box

Model	Opening	Neck Size	Price Each
DPL-23x8	22 1/8 - 2 7/8	8	\$32
DPL-47x10	46 1/8 - 2 7/8	10	50

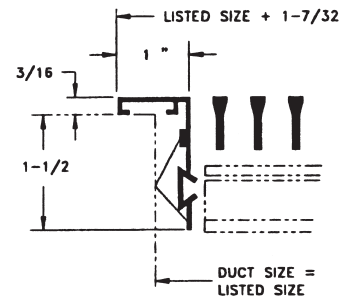
**Model DPI Insulated Plenum - to be field installed

Notes:

- Unit with end caps lays in T-bar grid
- Optional DPI Plenum is insulated w/hemmed rail
- Hem duct brackets included

TUTTLE & BAILEY Model 4100EO - Aluminum Bar Grille for Supply/Return Sidewall, Floor, Sill or Ceiling Mounting - (Sanded, Etched and Lacquer)

Neck Size	CFM Range	Price Each	Model A7 Volume Damper
10 x 4	50-175	\$20	\$11
12 x 4	75-200	21	11
12 x 6	125-300	24	11



TYPE E MARGIN

FINISH: Satin Anodize

