

## ALUMINUM EGGCRATE RETURN/EXHAUST GRILLES

[CFM Range is only a guide. See Manufacturer's Catalog for complete data. All NC Levels in acceptable range < 32.]

### TUTTLE & BAILEY Model CRE500 - Eggcrate Surface Mounting Grille

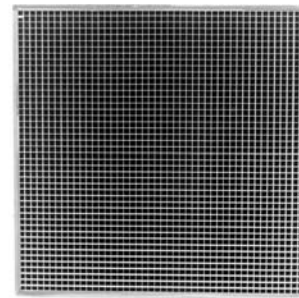
Neck Size	CFM Range	Price Each	Volume Damper Model A7
6 X 6	50-200	\$8	\$9
8 X 8	130-350	10	11
10 X 10	200-550	11	14
12 X 12	300-800	13	16
14 X 14	400-1000	18	20
16 X 16	500-1200	20	24
18 X 18	675-1800	25	31



**FINISH:** White

### TUTTLE & BAILEY Model CRE500 LT- Eggcrate T-Bar Lay-In Grille

Neck Size	CFM Range	Price Each
22 x 10	600-1600	\$19
22 x 22	1200-2400	35

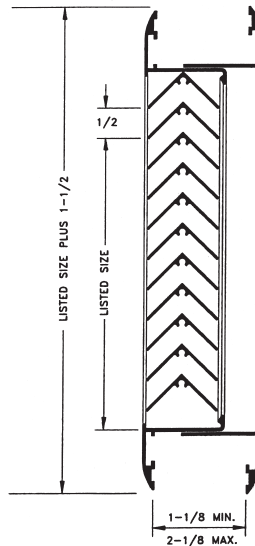


**FINISH:** White

## DOOR GRILLES

### TUTTLE & BAILEY Model A990VF - Aluminum Door Grilles, Sight Proof With Telescoping Frame

Listed Size	CFM @ 300 FPM	Price Each
12 x 12	161	\$32
20 x 20	500	56
24 x 12	330	42



**FINISH:** Satin Anodize

L. R. GORRELL COMPANY

PRICES SUBJECT TO CHANGE WITHOUT NOTICE! Minimum Order is \$25.00

## FILTER GRILLES

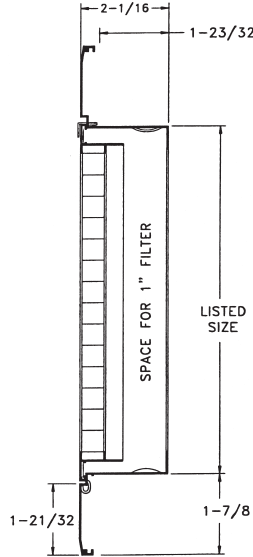
### TUTTLE & BAILEY Model CRE500FBLT - Aluminum Eggcrate Filter Grille, T-Bar Lay-In

Neck Size	CFM Range	Price Each
*20x20	800 -1500	\$54

\*Filter Not Included

**Notes:**

- 1/2 x 1/2 x 1/2 eggcrate face
- Flush, hinged face
- Equipped w/ filter retainers
- Accepts 1" x 20" x 20" nominal filter (by others)
- Fits T-bar lay-in



**FINISH:** White

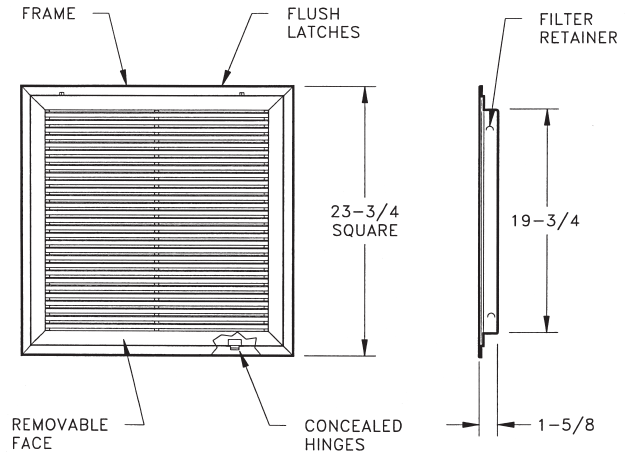
### TUTTLE & BAILEY Model T70DFBLT - Steel, Fixed Bar, Filter Grille, T-Bar Lay-In

Neck Size	CFM Range	Price Each
*20x20	600 -1500	\$48

\*Filter Not Included

**Notes:**

- All steel construction
- Flush, removable face with concealed latches and hinges
- Face can be installed in any direction
- 3/4" spaced bars at 35 degrees
- Fits (standard 15/16) 2' x 2' T-bar ceiling systems
- Equipped with filter retainers
- Accepts 1" x 20" x 20" nominal filter (by others)
- It is recommended that grilles installed in grid ceiling systems be supported independent of the ceiling hardware



**FINISH:** White