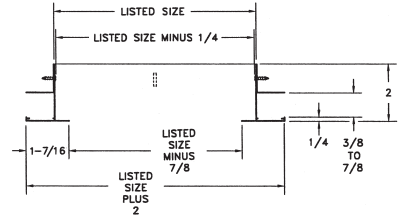
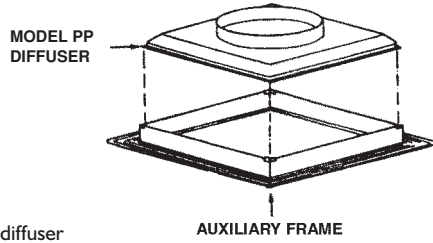


AIR DISTRIBUTION ACCESSORIES

TUTTLE & BAILEY Model **TRM** - Auxiliary Frame allows any Lay-In Tee Bar Type Diffuser to be Surface Mounted.

Panel Size	Price Each
12 x 12	\$13
12 x 24	14
24 x 24	16

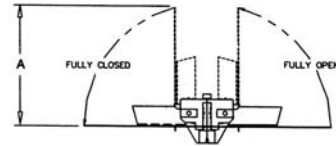
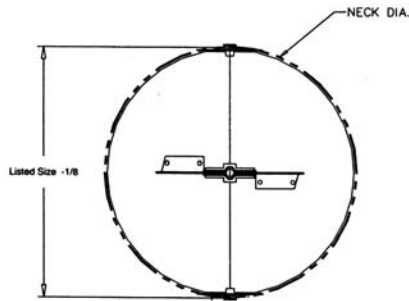


Notes:

- For use with ceiling thickness 3/8" to 7/8"
- Trims out ceiling opening and allows lay-in of grille or diffuser
- Can be used for ceiling access
- White enamel finish

TUTTLE & BAILEY Model **RBN** - Steel Round Butterfly Damper for PP-LT, PV-LT, PR-LT, & I300 Type Diffusers

Neck Size	Price Each
6	\$11
8	12
10	13
12	13
14	15



Listed Size	6	8	10	12	14
A	2 3/4	3 3/4	4 3/4	5 3/4	6 3/4

TUTTLE & BAILEY Model **SMOBD** - Steel Opposed Blade Damper for Type M-4SQ-LT and M-4SQ-SB Diffusers.

Neck Size	Price Each
6 x 6	\$8
9 x 9	12
12 x 12	15
15 x 15	21
18 x 18	25



TUTTLE & BAILEY Model **A7** - Aluminum Volume Damper for Type A70D and CRE500 Grilles

Neck Size	Price Each
6 x 6	\$9
8 x 8	11
10 x 10	14
12 x 12	16
14 x 14	20

Neck Size	Price Each
16 x 16	\$24
18 x 18	31
24 x 12	22
24 x 18	35
24 x 24	44



L. R. GORRELL COMPANY