

# VAV DIFFUSERS

## THERMA-FUSER - TF-HC

- Thermal Control Power
- Self Contained Control System
- VAV Room Temperature Control
- Field Adjustable Heating Volume Control



Therma-Fuser is equivalent to having a thermostat in every room. It is self-contained and thermally powered - - no pneumatic piping or electrical wiring is required. Room temperature settings for heating and cooling are separately adjustable. Therma-Fuser is maintenance free with no requirement for lubrication or costly pneumatics or electronics to maintain.

**Now... Control Both Heating and Cooling With Your Variable Air Volume System!**

### PERFORMANCE GUIDE

Model	(Inches) Listed Size	Inlet SP In W.G.	Max. CFM	Throw @ Max. CFM		Throw @ 25% of CFM		NC @ Max. CFM*	Price Each
				Vt 50 / Vt 100	Vt 50 / Vt 100	Vt 50 / Vt 100	Vt 50 / Vt 100		
TFHC	6	.05	100	5 / 3	3 / 1	*	CALL		
		.10	140	6 / 3	3 / 2	20			
		.15	175	7 / 4	4 / 3	24			
		.20	200	8 / 5	6 / 4	28			
		.25	220	8 / 6	7 / 4	33			
TFHC	8	.05	160	6 / 4	4 / 2	*	CALL		
		.10	225	8 / 5	5 / 3	20			
		.15	275	9 / 5	6 / 4	25			
		.20	320	10 / 6	8 / 5	29			
		.25	335	12 / 7	9 / 6	33			
TFHC	10	.05	260	7 / 4	5 / 3	*	CALL		
		.10	370	9 / 5	6 / 4	22			
		.15	450	11 / 6	7 / 4	26			
		.20	520	12 / 7	8 / 5	29			
		.25	580	13 / 8	10 / 7	32			
TFHC	12	.05	380	8 / 5	6 / 4	*	CALL		
		.10	550	11 / 7	8 / 5	23			
		.15	650	12 / 7	8 / 6	27			
		.20	740	14 / 8	10 / 7	30			
		.25	820	15 / 10	11 / 8	33			
		.30	890	17 / 11	12 / 9	36			

Acutherm optimizes variable volume systems and meet your sustainable design goals:

- ✓ Thermafuser systems result in less energy use:
  - Matching zone loads
  - Minimize fan energy
  - Low Turndown Ratio's
- ✓ Individual Temperature Control
- ✓ Maintain excellent Thermal Comfort
- ✓ High room Air Change Effectiveness
- ✓ Monitor Individual Spaces
- ✓ Innovative Design Benefits

Exceed your client's expectations with truly sustainable VAV system design.

Acutherm provides cost effective solutions that will lower first cost, contribute to LEED® points, and maximize the amount of energy saved in any building.

To see how Thermafuser designs meet your LEED application needs, scan this link!



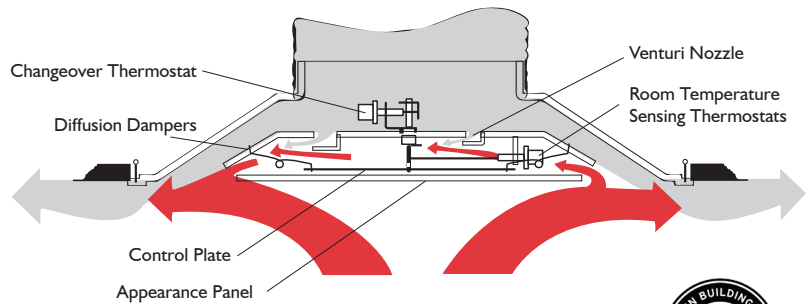
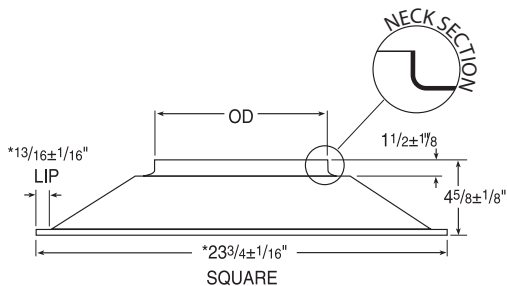
- Denotes nominal rating
- $V_t$  Terminal velocity in fpm

NC based on LW 10 - 12W - 10 db

\* less than NC 20

\* With blades in full open position

Nominal Neck Size	Inches			
	A	B	ID	OD
6	1-1/4	4-1/4	5-1/2	5-15/16
8	1-5/16	4-3/8	7-5/16	7-15/16
10	1-7/16	4-9/16	9-11/16	9-15/16
12	1-5/16	4-3/8	11-9/16	12



#### Notes:

- Relief rings available
- Auxiliary frame for surface mounting on page 10.



L. R. GORRELL COMPANY

PRICES SUBJECT TO CHANGE WITHOUT NOTICE! Minimum Order is \$35.00