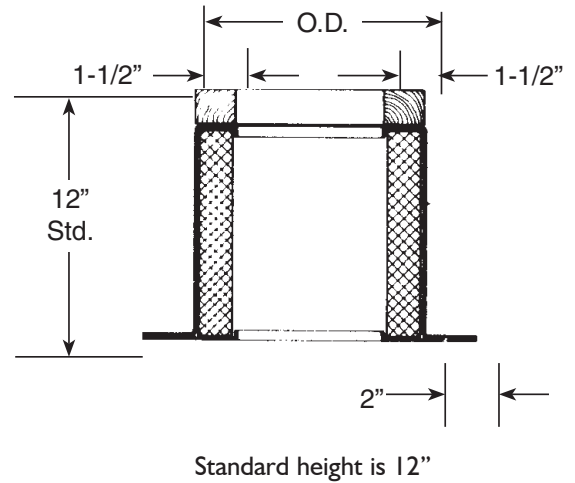


ROOF CURBS / EQUIPMENT SUPPORTS

ROOF CURBS

Model **CPC-3** - 18 Gauge Galvanized Steel Shell, Continuous Welded Corner Seams, Integral Base Plate
2"x 2" Pressure Treated Wood Nailer and 1 1/2" Thick Fiberglass Board Insulation.

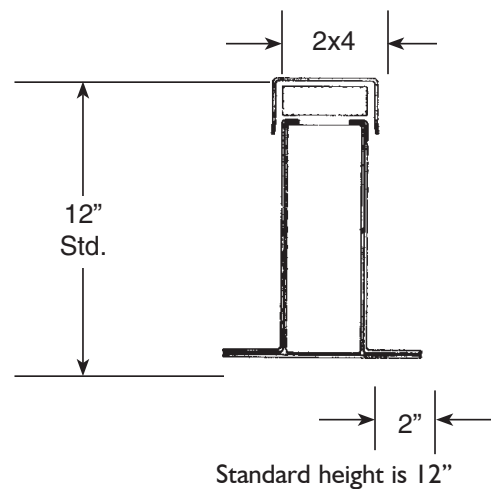
| Model | Curb O.D. Size | Price Each | ILG Models | |
|----------|----------------|------------|------------------------|--------------------|
| | | | Fans | Vents |
| CPC-3-14 | 14" x 14" | \$58 | - | 611 CM |
| CPC-3-16 | 16" x 16" | 58 | CRDA 6-10, CRBCA 10 | ARVE-12, 612 CM |
| CPC-3-22 | 21.5" x 21.5" | 71 | CRBCA 12-15 | ARVE-16 |
| CPC-3-29 | 28.5" x 28.5" | 109 | CRBCA 16 | ARVE-20 |
| CPC-3-33 | 32.5" x 32.5" | 149 | - | ARVE-25 |



EQUIPMENT SUPPORTS

Model **CPES-3** - 18 Gauge Galvanized Steel Shell, Continuous Welded Corner Seams, 2' X 4' Pressure Treated Wood Nailer, Galvanized Steel Counter-Flashing and Integral Base Plate with Integral Reinforcement.

| Model | Support Length | Price Each |
|--------|----------------|------------|
| CPES-3 | 3' | \$79 |
| CPES-6 | 6' | 149 |



L. R. GORRELL COMPANY

PRICES SUBJECT TO CHANGE WITHOUT NOTICE! Minimum Order is \$35.00