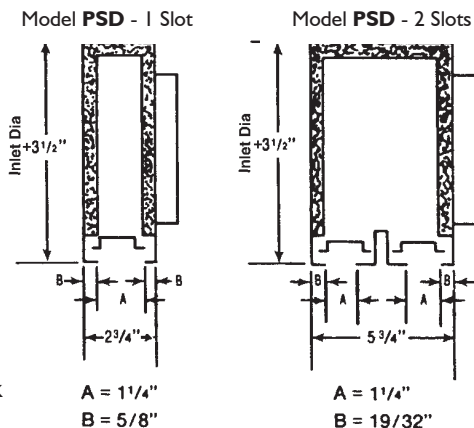


PLENUM SLOT DIFFUSERS

[CFM Range is only a guide. See Manufacturer Catalog for complete data. All NC Levels in Acceptable Range <32.]

TUTTLE & BAILEY Model PSD - Steel Adjustable Plenum Slot Diffuser Lay-In Tee Bar Mounting Insulated Plenum

Nominal Length	Inlet Size	# of Slots	"A" Slot Width	CFM Range	Price Each
24	6	1	1 1/2	50-125	\$44
24	8	2	1 1/2	100-250	54
48	8	1	1 1/2	100-250	55
48	10	2	1 1/2	200-500	67



FINISH: Black

FIRE SLOT Model 2000FR - Fire Rated Plenum Slot Diffusers



Fire Slot 2000FR Diffusers are UL classified fire rated plenum slot diffusers. This design is for use in 3 hour fire rated exposed grid suspended ceilings and meets UL time vs. temperature test criteria and NFPA 90A requirements. This product is listed in Underwriters Laboratories "Fire Resistant Directory".

The 2000FR design is qualified by UL for use with either hard or flex duct as well as ductless applications. Diffusers must be installed in accordance with installation instructions for UL Classification.

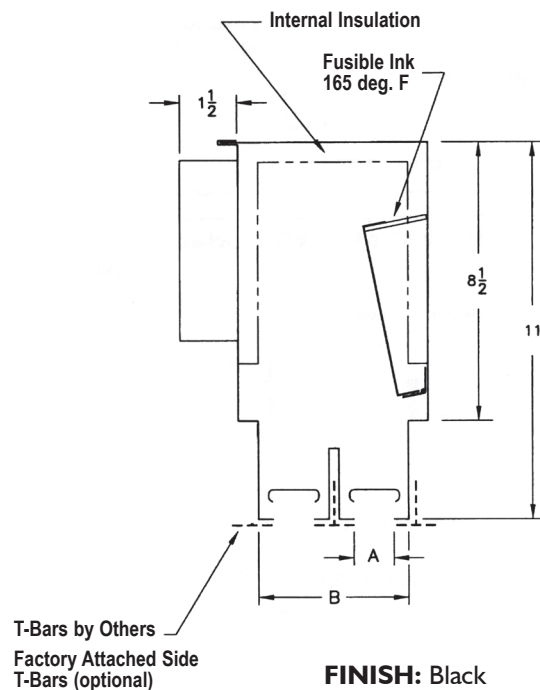
Length	Inlet Size	# of Slots	"A" Slot Width	"B" Overall Width	CFM Range	Price Each
24	8	2	1 1/2	5 3/4	75-250	Call
48	10	2	1 1/2	5 3/4	150-500	Call

Features

- Sliding air bars provide left, right or vertical throw.
- Diffusers over 36" length have two air bars per slot to allow split air patterns.
- Length: 47-3/4 standard. Available in nominal lengths of 24, 36, 48, & 60 inch. Normal tee bar application is nominal length less 1/4".
- Material: 24 gauge galvanized steel with 1/2" internal insulation.
- All exposed surfaces painted black.

Restrictions

- Available only for standard 15/16 ceiling grids.
- For surface mount frame application, contact factory.



FINISH: Black

L. R. GORRELL COMPANY

PRICES SUBJECT TO CHANGE WITHOUT NOTICE! Minimum Order is \$35.00