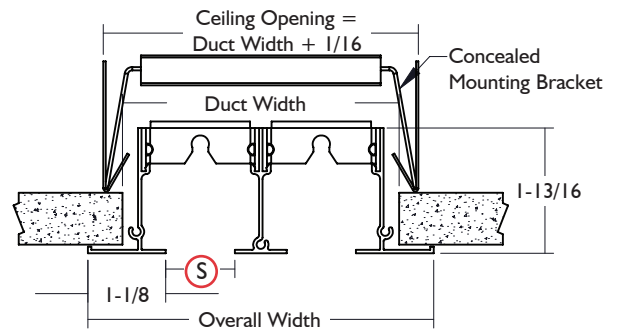


## LINEAR SLOT DIFFUSERS & BAR GRILLES

[CFM Range is only a guide. See Manufacturer Catalog for complete data. All NC Levels in Acceptable Range <32.]

### TUTTLE & BAILEY Model 6000 Series ECP - Aluminum Adjustable Slot Diffuser Surface or Tee Bar Mounting

Model	Nominal Length	Neck Size	# of Slots	Slot Width	CFM Range	Price Each
6000-ECP	24	23 x 3 1/2	2	1"	75-200	\$37
6000-ECP	48	47 x 3 1/2	2	1"	150-400	69



Ⓢ Slot Width: 1"  
FINISH: White

### TUTTLE & BAILEY Model DPL - Plenum Box

Model	Slot Width	Opening	Neck Size	Price Each
DPL-23 x 8	1"	22 1/8 - 3 15/16	8	\$43
DPL-47 x 10	1"	46 1/8 - 3 15/16	10	59

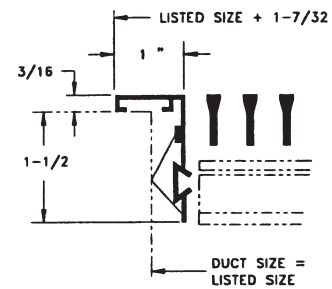
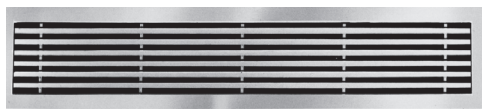
\*\*Model DPL Insulated Plenum - to be field installed

**Notes:**

- Unit with end caps lays in T-bar grid
- Optional DPL Plenum is insulated w/hemmed rail
- Hem duct brackets included

### TUTTLE & BAILEY Model 4100EO - Aluminum Bar Grille for Supply/Return Sidewall, Floor, Sill or Ceiling Mounting - (Sanded, Etched and Lacquer)

Neck Size	CFM Range	Price Each	Model A7 Volume Damper
10 x 4	50-175	\$22	\$24
12 x 4	75-200	23	27
12 x 6	125-300	28	30



TYPE E MARGIN  
FINISH: Satin Anodize