

INLINE CENTRIFUGAL DUCT FANS

ILG Models **SQBA** - Belt Drive

ILG Centrifugal Inline Standard Duct Fan. Performance ratings are AMCA Certified for Air and Sound and are U.L. Listed. All Motors are 115V, Single Phase.

Construction

- Housing of durable mill galvanized steel.
- Three sides are removable providing access internally
- Factory mounted motor and drive with pre-set fan RPM.
- Backplate Fins draw cool air through motor.
- Low noise levels.
- Belt/Drive Guard.

Motors and Electrical

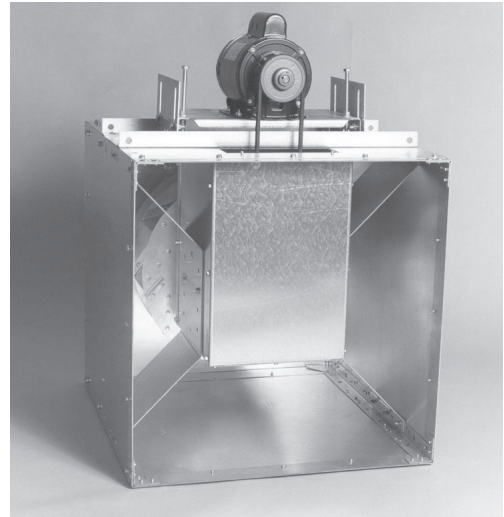
- U.L. 705 Listing, Stock fans only.
- Integral Motor Thermal Overload Protection on all standard single phase motors.
- Safety disconnect.

Drive Components

- Variable pitch, cast oil resistant, non-static V-belts.

Impeller

- Backward inclined aluminum blades.

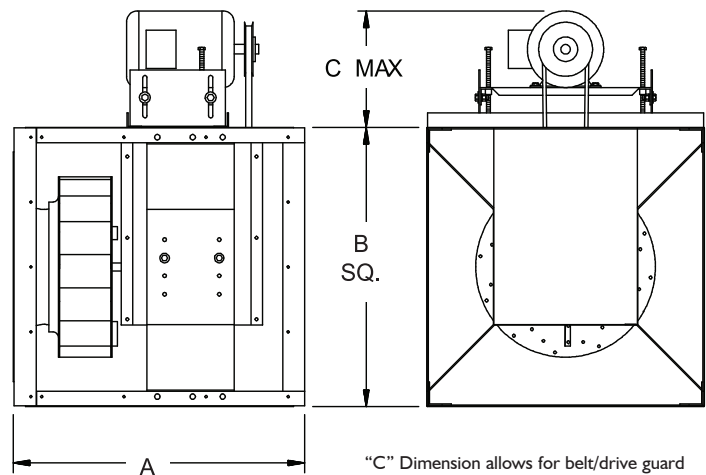


Model	Power HP	RPM	CFM @ Listed Static Pressure				Sones	Price Each	Hanging Isolator + Bracket	Gravity Damper BDDV
			.125"	.25"	.50"	.75"				
SQBA 12	1/4	1078-1402	985-1323	889-1261	661-1111	682-937	10.8	\$798	\$55	\$68
SQBA 13	1/3	1132-1348	1513-1834	1418-1757	1203-1590	916-1398	12.8	841	55	85
SQBA 15	1/2	1119-1305	2042-2413	1942-2326	1712-2150	1410-1929	15.8	885	55	95
SQBA 16	3/4	1049-1211	2680-3137	2553-3014	2374-2840	1628-2395	14.5	978	55	105

Notes:

- 1) Belt drive speed set at mid range.
- 2) Units are provided with belt guard not shown.

Model	Dimensions Listed in Inches			Approx. Weight
	A	B	C	
SQBA 12	25 3/4	18	17 3/4	160
SQBA 13	26 3/8	20	17 3/4	190
SQBA 15	27 7/8	23	17 3/4	195
SQBA 16	27 3/8	25 1/2	17 3/4	250



L. R. GORRELL COMPANY