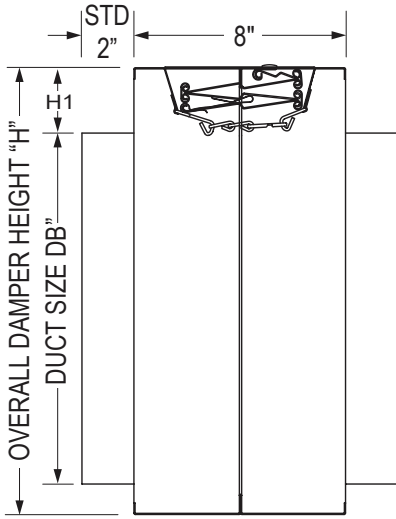
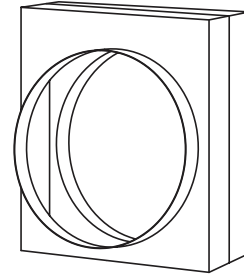


FIRE DAMPERS

PREFCO Model 5500E8 - CR - Integral Sleeved Round

- Low pressure, round inlet/outlet
- Vertical or horizontal application
- Install without additional sleeve per installation instruction sheet no. 5500-11-FS2
- Optional retaining angle kits and/or damper flats



Round Size "DB"	Height "H"	Width "W"	Fire Damper Price Each	Damper Flats Price Each Set	Retaining Angle Price Each*
6	8-1/2	8	\$38	\$15	\$8
8	10-1/2	10	44	17	9
10	12-1/2	12	48	17	9
12	14-1/2	14	54	17	10
14	16-1/2	16	60	19	12
16	18-1/2	18	64	19	14
18	20-1/2	20	68	21	15

* Price for one angle mounting flange.

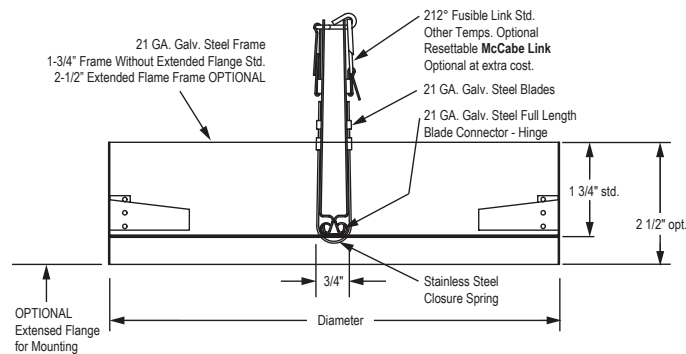
Notes:

- 1) "DB" undersized 1/8"
- 2) "H" and "W" undersized 1/4"
- 3) Damper flats are sold as a set.
- 4) Flats and retaining angles can be sold as a mix match set.

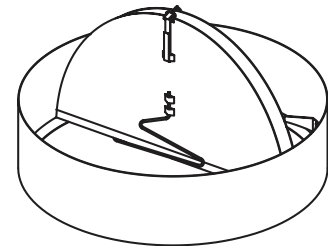
Damper Mount Notes:

- 1) See page 29 for single flange mounting option

PREFCO Model 5600F - Round Fire Damper



Size	Price Each
6	\$26
8	26
10	30
12	34
14	41
16	41



ADDITIONAL LINKS (Price Each)	
165°	\$5
212°	5



Don't see your size listed above? 1, 3, & 5-day quick ship available. Call for details.

L. R. GORRELL COMPANY

PRICES SUBJECT TO CHANGE WITHOUT NOTICE! Minimum Order is \$35.00